



Floor Spring
Accessories

DORMA

BTS
Accessories

For single action aluminium doors

Aluminium door straps

- For flush-closing single action aluminium doors of various types
- Door width up to 1200 mm, door weight up to 120 kg
- Non-handed
- Easy to fix – no milling or routing necessary, only 4 holes to drill
- Fast and simple installation with lock-pin arrangement
- Robust and secure installation with backplates and reinforcing angle bracket on door strap
- Steel insert press-fitted in aluminium door strap gives close tolerance connection to spindle.

DORMA aluminium door strap

Art. No. 7459

Silver (EV 1, Euras C-0):

Order No. 45010409

Dark bronze

(DB 4, Euras C-34):

Order No. 45010709

Special colours on request.

DORMA aluminium door strap

Art. No. 7459 B

Silver (EV 1, Euras C-0):

Order No. 45010482

Dark bronze

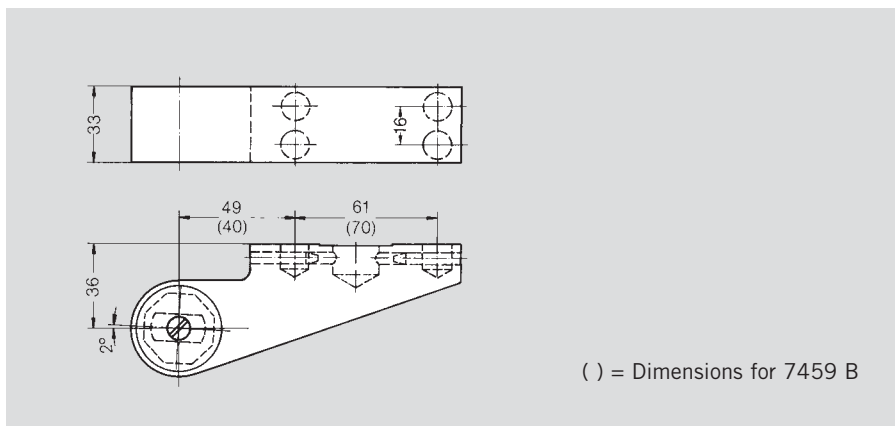
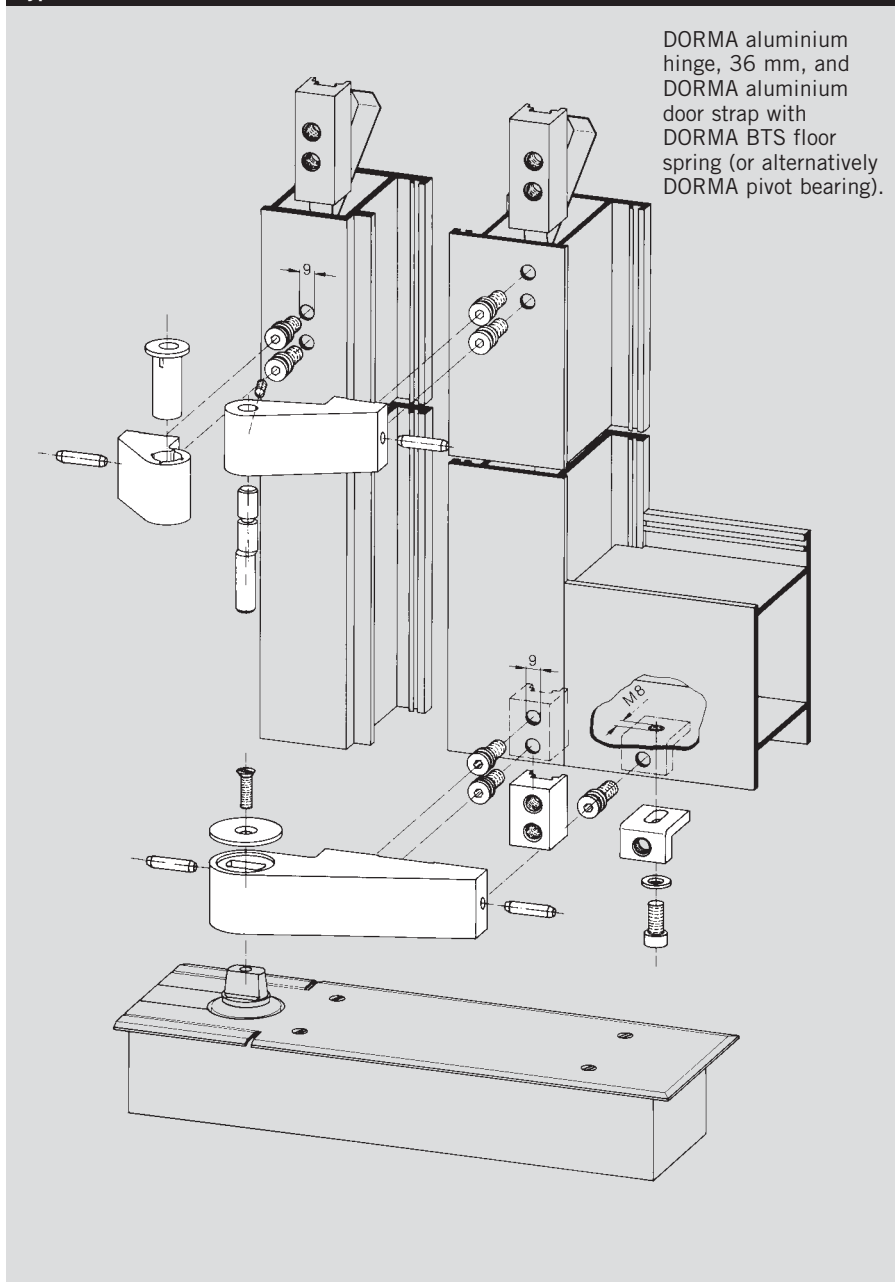
(DB 4, Euras C-34):

Order No. 45010782

Special colours on request.

For further details and aluminium hinges, see our brochure entitled "DORMA LM hinges" with ordering guide.

Typical installation



Drill jig for aluminium hinges

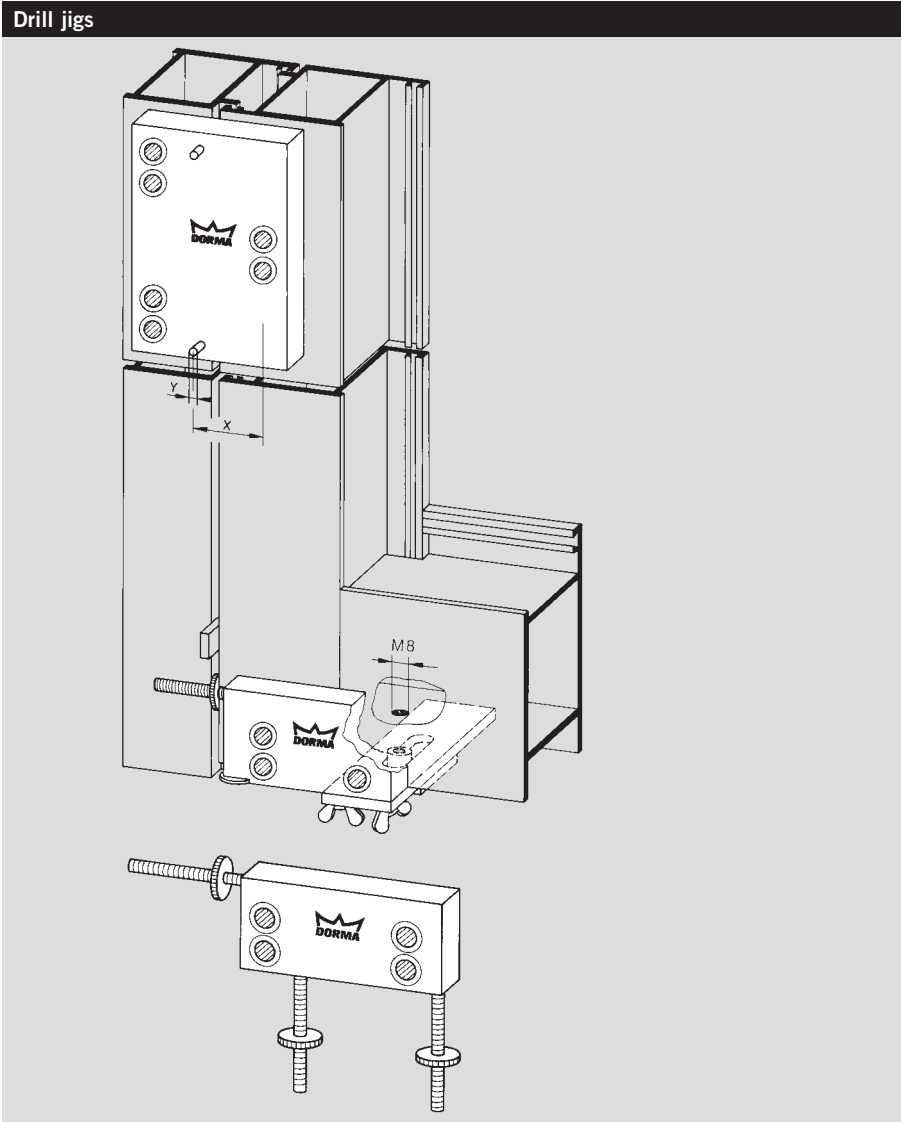
For standard hinges (9 mm dia.), for IK (insulated construction) hinges (11 mm dia.) and also for 2 and 3-part hinges; indicate dimensions x and y or the profile.

Universal drill jig for aluminium door strap

Art. No. 7459 L
Adjustable to suit various profile systems; for normal doors (9 mm dia.) and also for insulated doors, external fixing (11 mm dia.).
Standard design:
Order No. 45090074
B-type:
Order No. 45090075

Universal drill jig for direct screw-fixing of aluminium door strap

Art. No. 7459 L/D
Adjustable to various profile systems for direct fixing; for normal doors (9 mm dia.) and also for insulated doors, external fixing (11 mm dia.).
Standard design:
Order No. 45090077
B-type:
Order No. 45090078

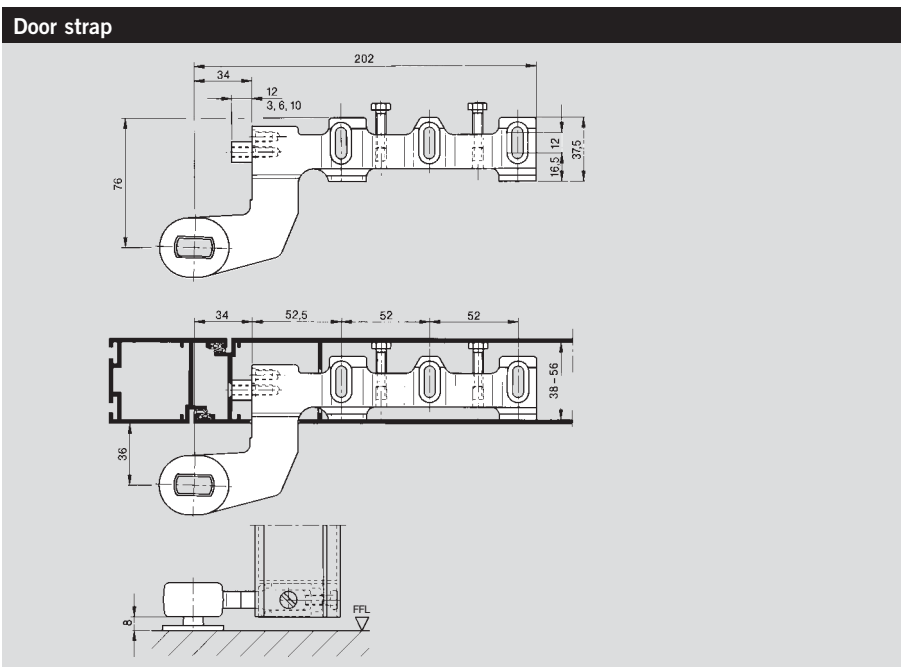


Door strap

Art. No. 7456/1
Drop forged steel; adjustable to various profile systems, non-handed.
Order No. 45010006

Cover caps

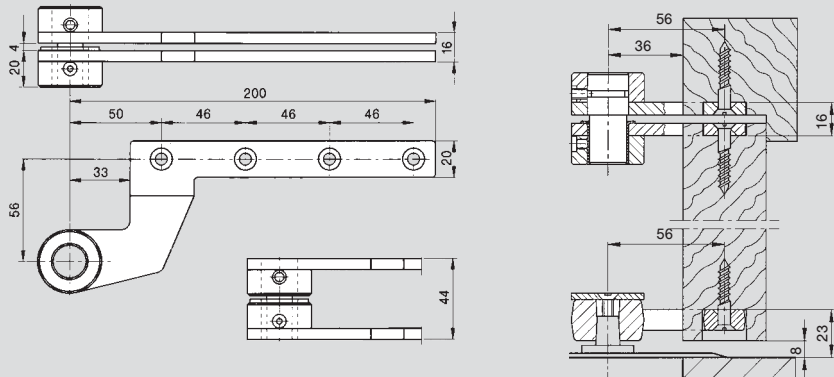
See pages 4 and 5,
Art. No. 7481 and 7482.



For flush-closing doors

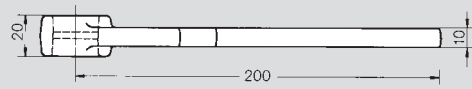
Top centres

Art. No. 7411 K/56
Zinc-plated steel; with eccentric pin and bush for adjustment after hanging the door; non-handed.
Order No. 45300016



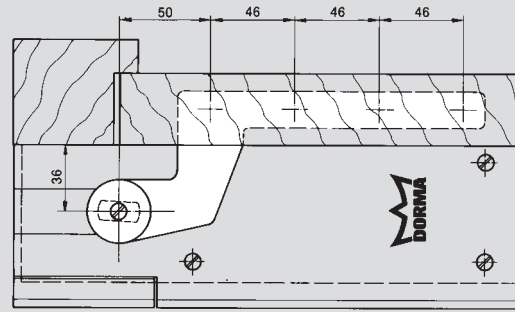
Door strap

Art. No. 7411/56
Drop forged steel, zinc-plated.
Order No. 45010003



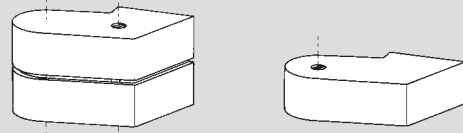
Top washer for door strap

Art. No. 7432
Stainless steel
Order No. 45090030



Cover caps

for top centres and door strap

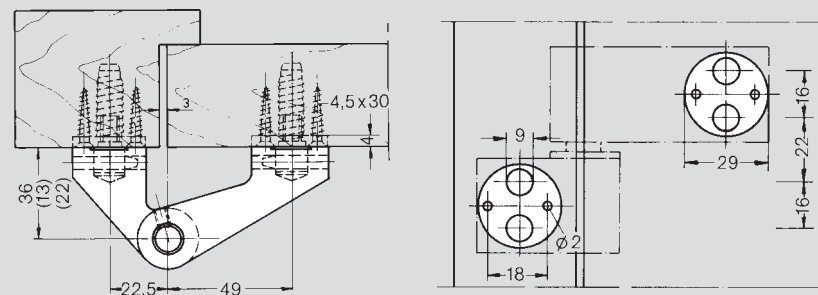


Type	Order No. for cover caps		
	for top centres, two parts	for door strap, single	
		LH (ISO 6)	RH (ISO 5)
Die cast aluminium Art. No. 7483/7481 Mill finish	45500301	45055300	45051300
Silver (EV 1, Euras C-0)	45500401	45055400	45051400
Dark bronze (DB 4, Euras C-34)	45500701	45055700	45051700

LM pivot hinges with fixing for non-rebated timber doors

Offset in mm	Art. No.
36	A-36.10
22	A-22.10
13	A-13.10

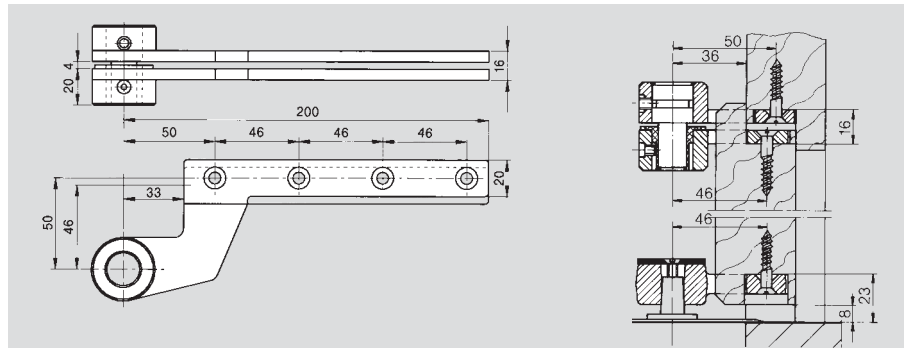
For order number, see LM hinge brochure



For rebated doors

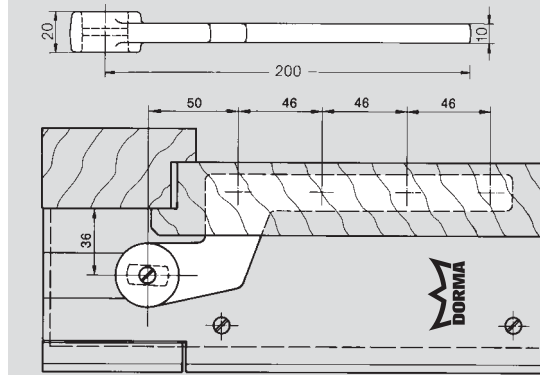
Top centres

Art. No. 7411 K/46
Zinc-plated steel; with eccentric pin and bush for adjustment after hanging the door; handed.
LH (ISO 6) door
Order No. 45305015
RH (ISO 5) door
Order No. 45301015



Door strap

Art. No. 7411/46
Drop forged steel, zinc-plated.
Order No. 45010000

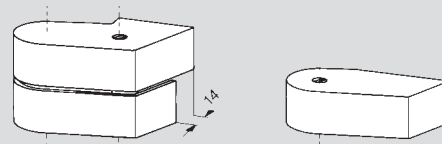


Top washer for door strap

Art. No. 7432
Stainless steel
Order No. 45090030

Cover caps

for top centres and door strap



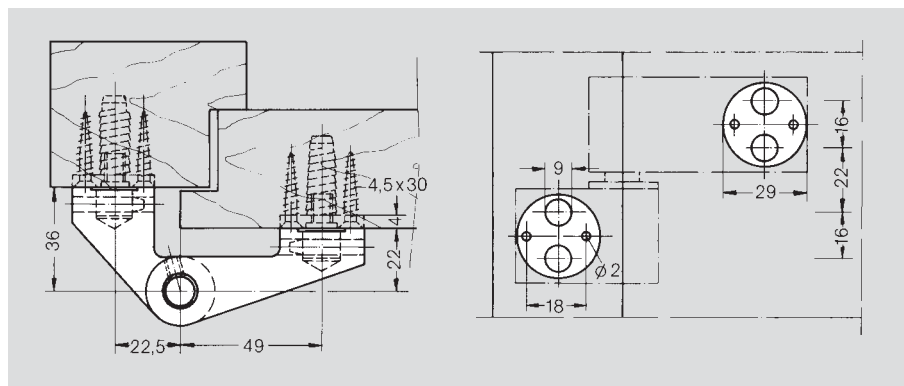
Type	Order No. for cover caps			
	for top centres, two parts		for door strap, single	
	LH (ISO 6)	RH (ISO 5)	LH (ISO 6)	RH (ISO 5)
Die cast aluminium Art. No. 7484/7482 Mill finish	45505300	45501300	45055301	45051301
Silver (EV 1, Euras C-0)	45505400	45501400	45055401	45051401
Dark bronze (DB 4, Euras C-34)	45505700	45501700	45055701	45051701

LM pivot hinges with fixing for over-rebated timber doors

For order number, see LM hinge brochure

Drill jig for flush closing and over-rebated doors

Dimension x = 50.5 mm,
Dimension y = 3 mm

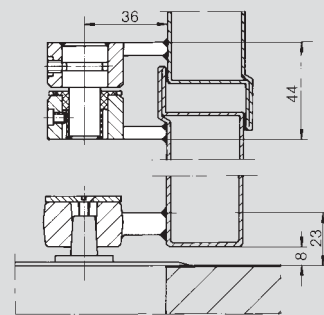
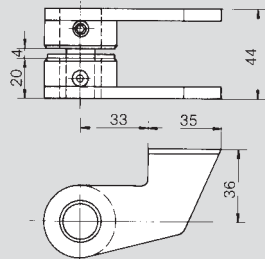


For single action steel doors

Weld-on accessories

Top centres

Art. No. 7431 K
Steel, primed; with eccentric pin and bush for adjustment after hanging the door; non-handed.
Order No. 45300012



Door strap

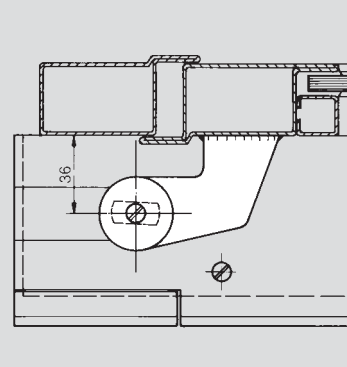
Art. No. 7431
Drop forged steel, primed
Order No. 45010005

Top washer for door strap

Art. No. 7432
Stainless steel
Order No. 45090030

Cover caps

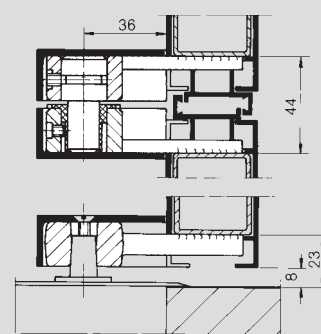
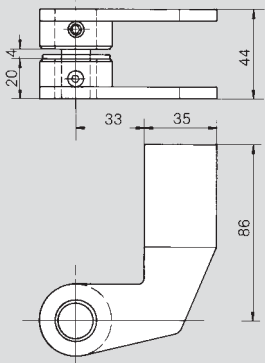
see pages 4 and 5



Weld-on accessories

Top centres

Art. No. 7441 K
Steel, primed; with eccentric pin and bush for adjustment after the door is hung; non-handed.
Order No. 45300014



Door strap

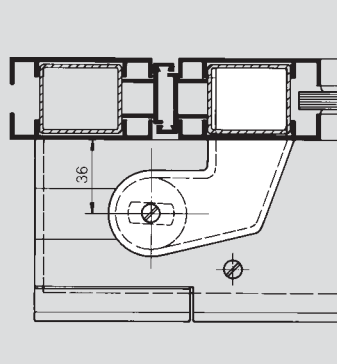
Art. No. 7441
Drop forged steel, primed
Order No. 45010007

Top washer for door strap

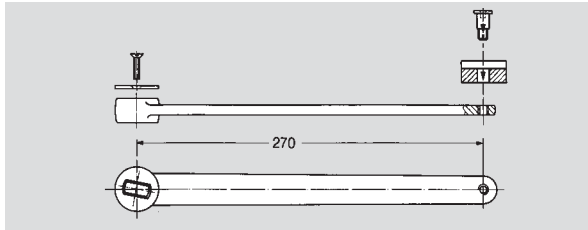
Art. No. 7432
Stainless steel
Order No. 45090030

Cover caps

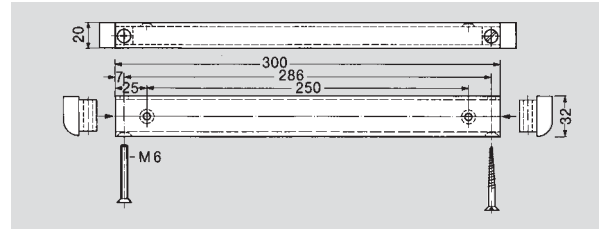
see pages 4 and 5



For butt hung doors



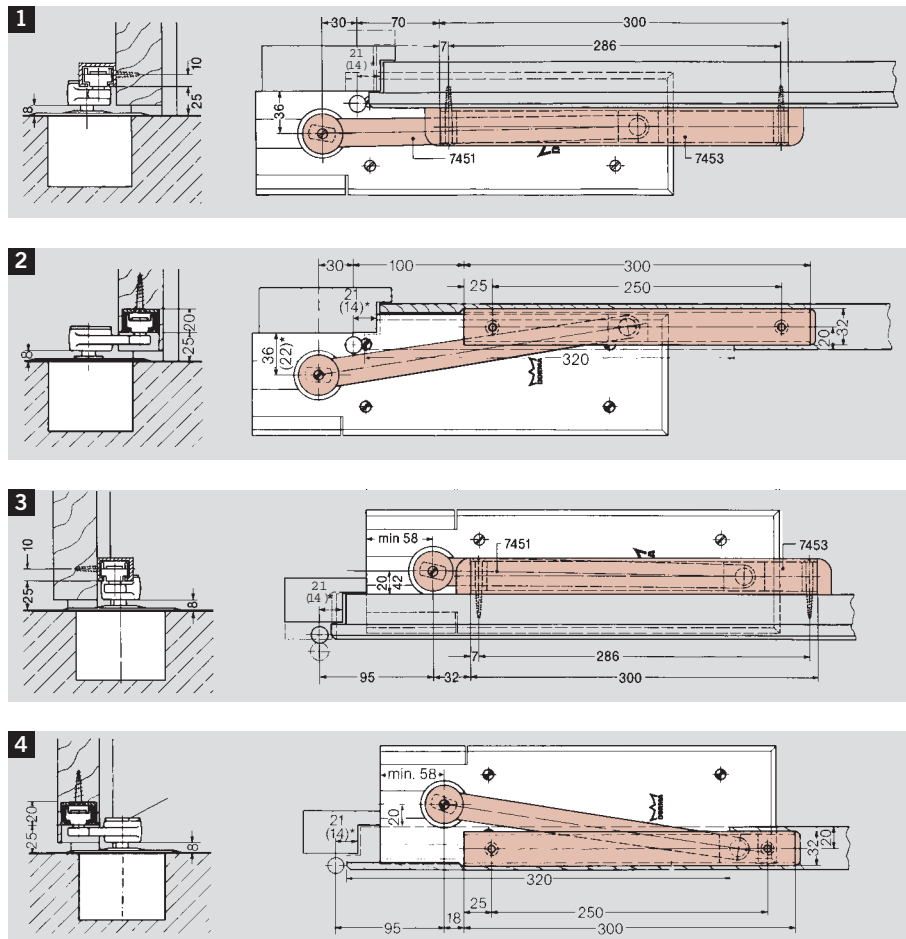
Swing lever Art. No. 7451 N
Drop forged steel, including top washer 7432.
Order No. 45090070



Guide housing Art. No. 7453 N
Aluminium, anodised, silver (EV 1, Euras C-0).
Order No. 45090053

Example installations

()* = Offset for non-rebated doors



Max. opening angle, backcheck activation angle and hold-open angle

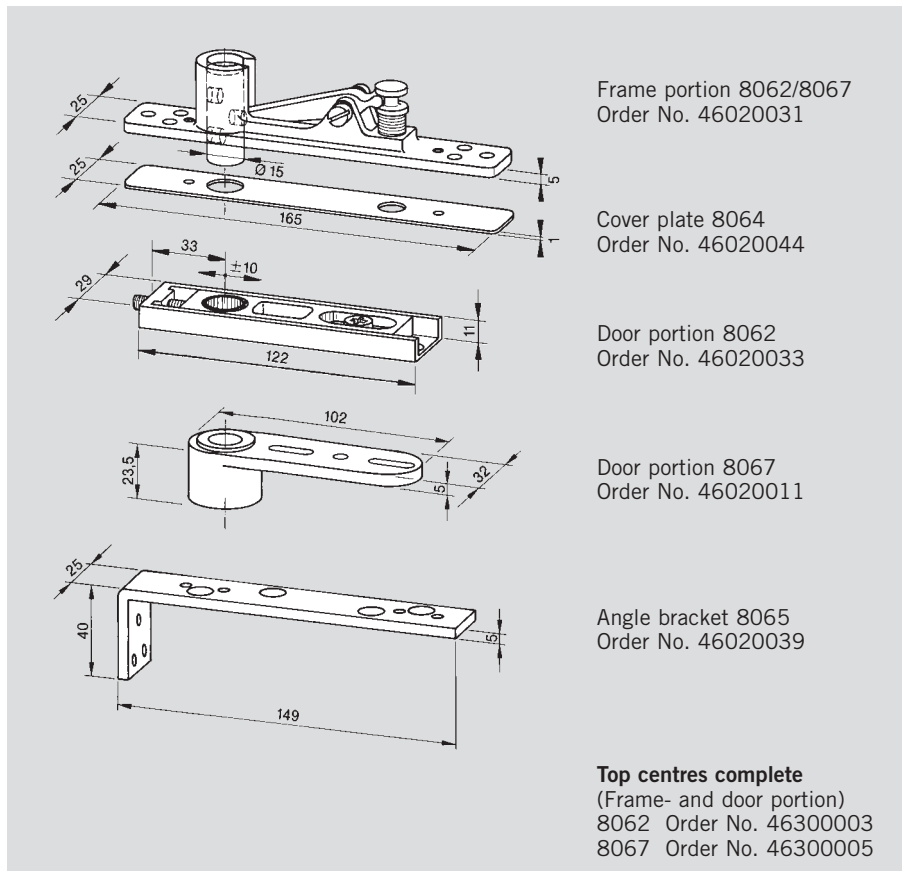
1) Set door stop at maximum door opening. Owing to the differing pivot points of the floor spring and hinges, the backcheck is activated earlier, i.e. at an opening angle less than 85°. This type of installation reduces the floor spring's power. To minimise this effect, make sure that the door is correctly hung and free-running on its hinges. Detailed installation drawing available on request.

Installation		Door thickness in mm								
		Over-rebated door				Flush closing door				
		39	50	60	70	39	50	60	70	
1	Door opening ¹⁾ in °, max.	100				100				
2		100				100				
3		125	116	108	102	114	105	98	92	
4		135	137	140	140	132	135	135	120	
1	Hold-open for BTS 80, and backcheck for BTS 75 and BTS 80 in °	78				78				
2		85				85				
3		60				60				
4		52				52				
1	Hold-open for BTS 75 in ° for following settings in °	105	95			100				
2		90	90			90				
3		105	83	85	87	90	86	90	92	95
4		120	102	105	107	112	108	111	115	120
		105	73	75	77	79	76	78	80	83
		120	90	93	95	98	95	100	102	105

For steel, aluminium and timber doors

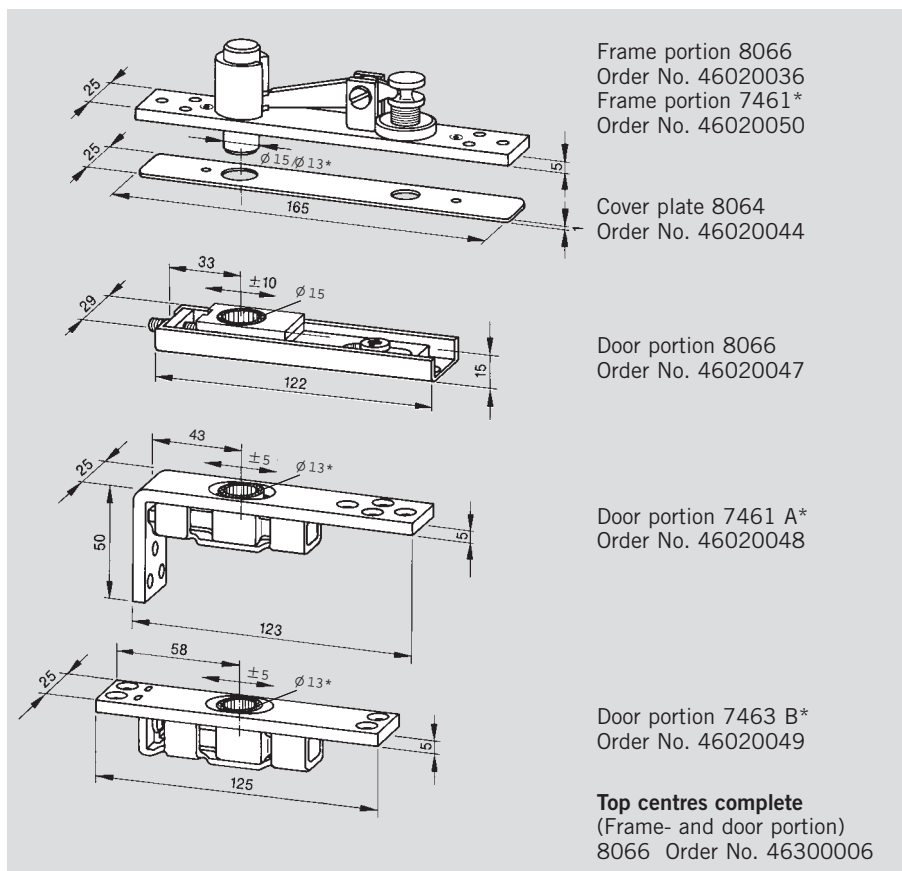
Adjustable top centres (die cast aluminium)

comprising an frame portion with adjustable pin for deep profiles up to max. 20 mm, and door portion with needle bearing (8067 with plastics bearing). For deeper profiles, the top centre assembly can be supplied with pins extended by 10 mm or 20 mm.



Adjustable top centres (steel)

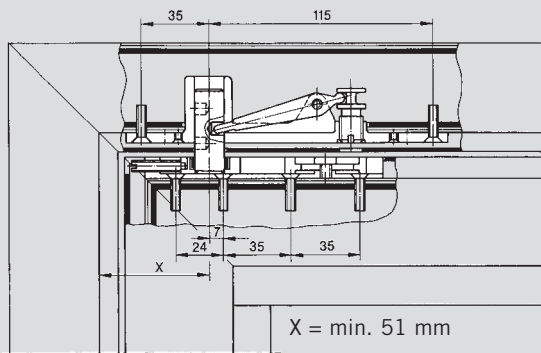
comprising an frame portion with adjustable pin for deep profiles up to max. 16 mm, and door portion with needle bearing. For deeper profiles, the top centre assembly can be supplied with pins extended by 10 mm or 20 mm.



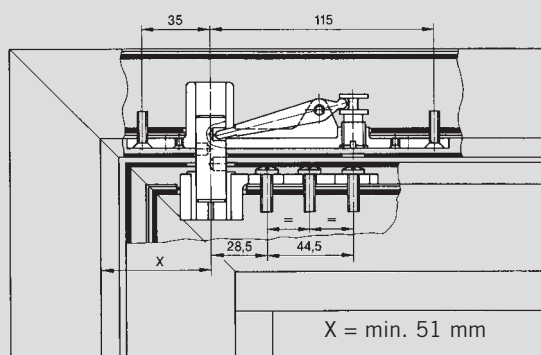
* For door portions 7461 A and 7463 B, use frame portion 7461 with 13 mm dia. pin.

Typical installations

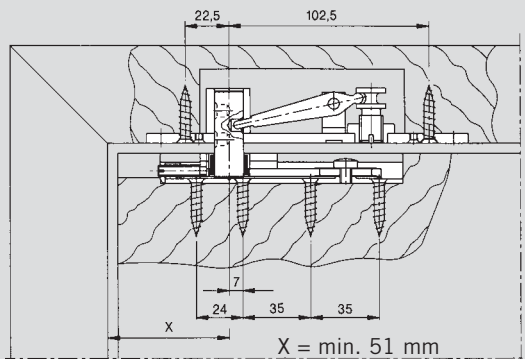
for aluminium doors **Top centre 8062**



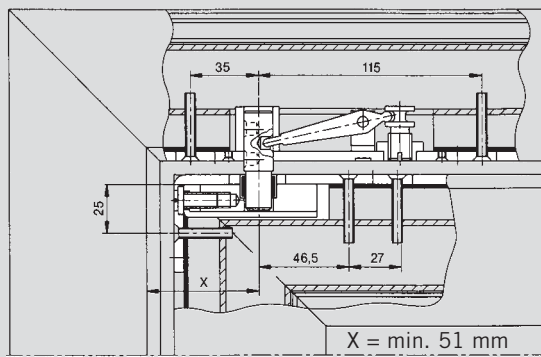
for aluminium doors **Top centre 8067**



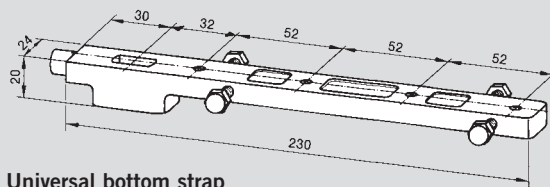
for timber doors **Top centre 8066**



for steel doors **Top centre 7461**



Bottom straps

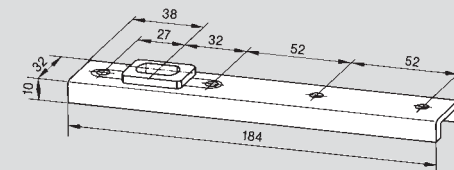


Universal bottom strap

Art. No. 7422

Drop forged steel, zinc-plated; adjustable to various frame profiles.

Order No. 46010002

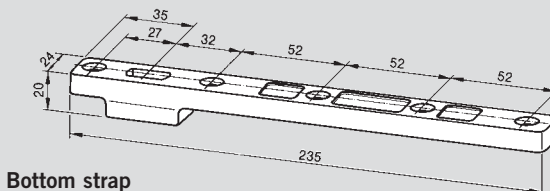


Bottom strap

Art. No. 8021

Zinc-plated steel; for door weights up to 100 kg.

Order No. 45010410



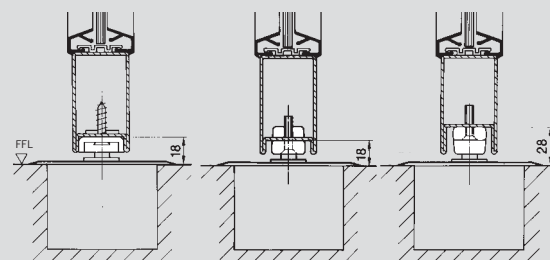
Bottom strap

Art. No. 7421

Drop forged steel, zinc-plated for door weights up to 300 kg.

Order No. 46010001

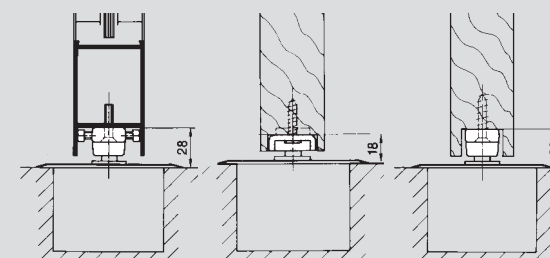
Typical installations



Bottom strap 8021

Bottom strap 7421
with milled hole

Bottom strap 7421
surface fixed



Bottom strap 7422

Bottom strap 8021

Bottom strap 7421

Pivot bearings

Floor pivot bearing

Floor pivot bearing

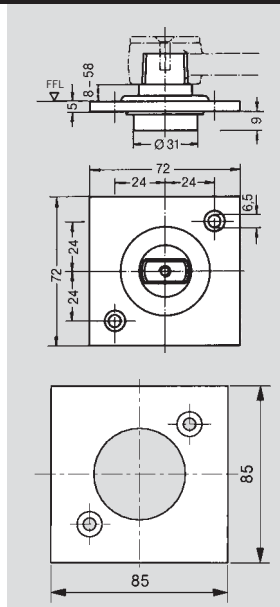
Art. No. 7471 K
with thrust roller bearing,
load capacity max. 200 kg.
Order No. 45070001

Also available to special
order with extended spindles
in increments of 5 mm up
to max. 50 mm.

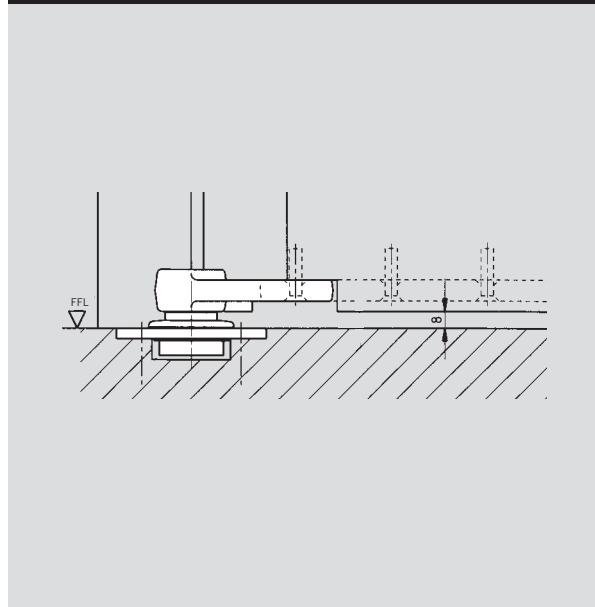
Art. No. 7471 AX
with angular contact roller
bearing, load capacity
max. 300 kg.
Order No. 45070002

Cover plate

7471 K/AX



Typical installation



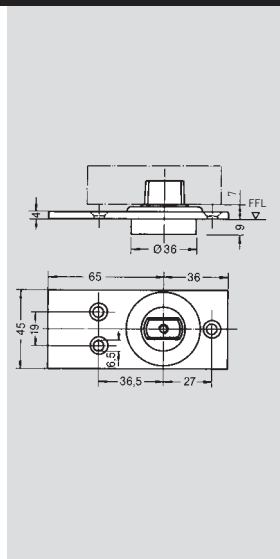
Floor pivot bearing

Floor pivot bearing

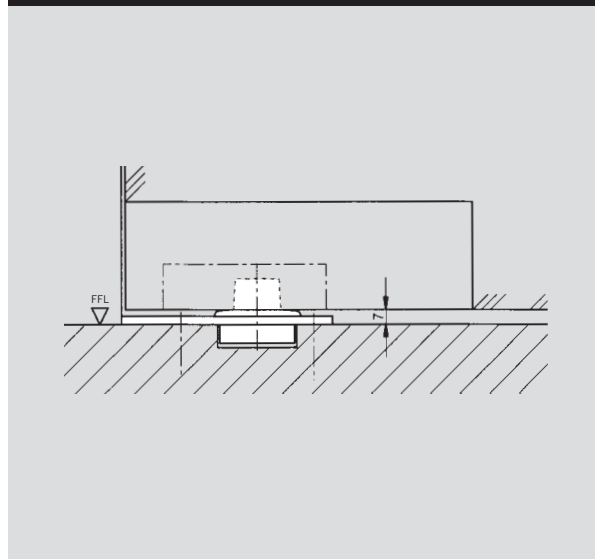
Art. No. 7475 AX
with angular contact roller
bearing, load capacity
max. 300 kg.
Order No. 45070003

Also available in stainless
steel.

Art. No. 8560 GE
Order No. 65540059



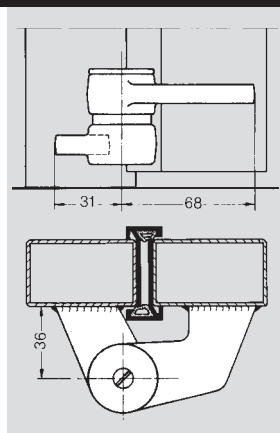
Typical installation



Weld-on hinge

Weld-on hinge

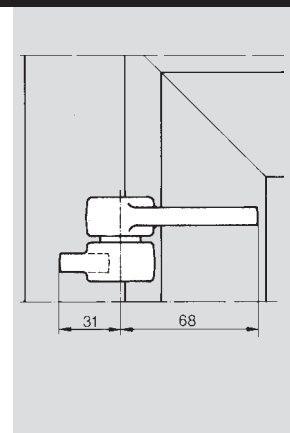
Art. No. 7472 K
with thrust roller bearing,
load capacity max. 200 kg,
and door strap 7431
(see page 6) non-handed,
bearing can be inserted from
either side.
Order No. 45070011



Weld-on hinge

Weld-on hinge

Art. No. 7472 M
Used as intermediate pivot
and upper hinge; with
eccentric pin and bush for
adjustment after hanging
the door; non-handed
bearing can be inserted from
either side.
Order No. 45900008



Weld-on pivot bearing

Weld-on pivot bearing

Art. No. 7474 K
with thrust roller bearing,
load capacity max. 200 kg,
and welded-on reinforcing
plate.

LH (ISO 6) door:

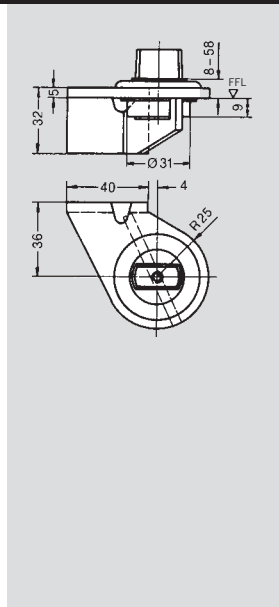
Order No. 45075007

RH (ISO 5) door:

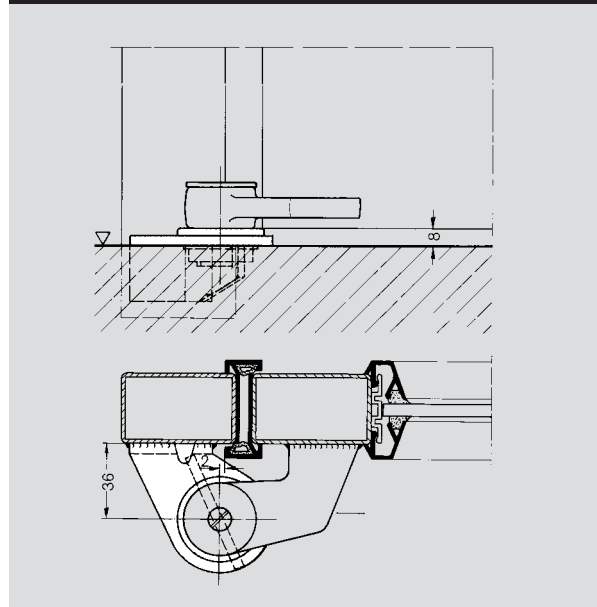
Order No. 45071007

AX model available on request
(300 kg capacity)

Also available to special
order with extended spindles
in increments of 5 mm up
to max. 50 mm.



Typical installation



Screw-on pivot bearing

Screw-on pivot bearing

Art. No. 7473 K
with thrust roller bearing,
load capacity max. 200 kg,
and reinforcement plate
supplied loose.

Suitable for timber, steel
and aluminium doors.

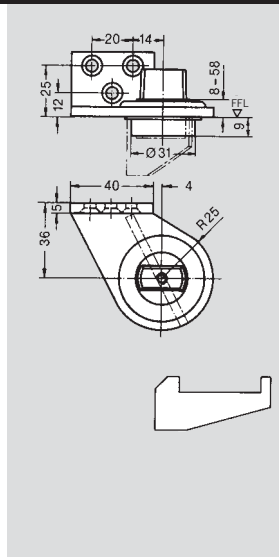
LH (ISO 6) door:

Order No. 45075005

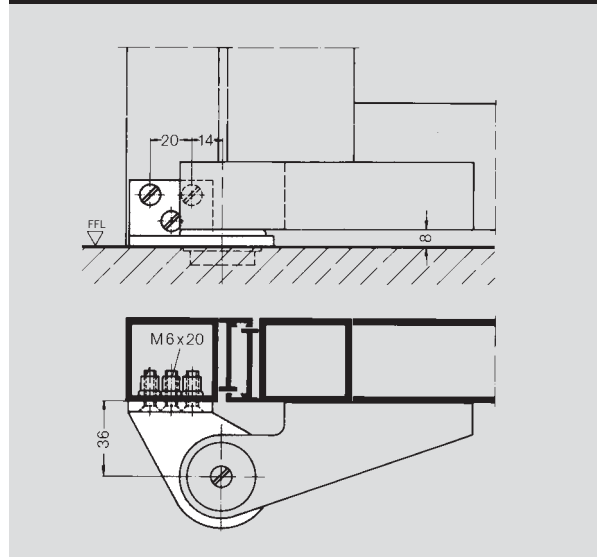
RH (ISO 5) door:

Order No. 45071005

Also available to special
order with extended spindles
in increments of 5 mm up
to max. 50 mm.



Typical installation

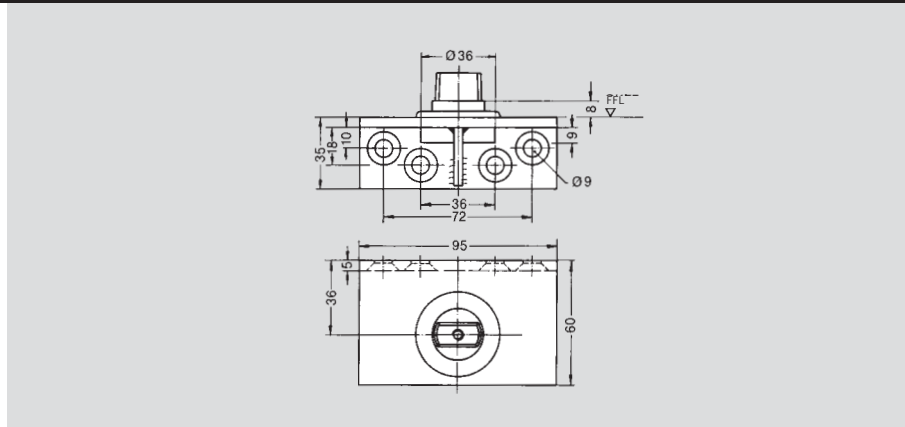


Screw-on pivot bearing

Screw-on pivot bearing

Art. No. 7476 AX
with angular-contact roller
bearing, load capacity
max. 300 kg.

Order No. 45070012



Spindle inserts

Spindle inserts, zinc-plated, for DORMA BTS floor springs

Length in mm	Order No.
Standard	45200401
+ 5	45200402
+ 7.5	45200403
+ 10	45200404
+ 12.5	45200419
+ 15	45200405
+ 20	45200406
+ 25	45200407
+ 28	45200414
+ 30	45200408
+ 35	45200409
+ 40	45200410
+ 45	45200411
+ 50	45200412

Special types available on request:

e.g. flat-tapered with 3° offset. Square spindle and other spindle inserts for non DORMA accessories.

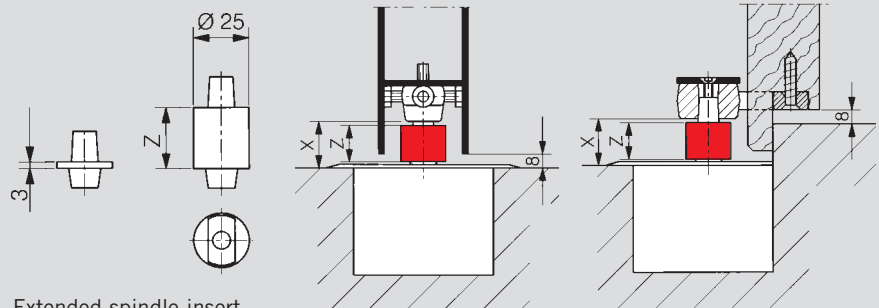
Sealing compound

DORMA sealing compound 2300
0.5 kg
Order No. 45090011

Cement boxes

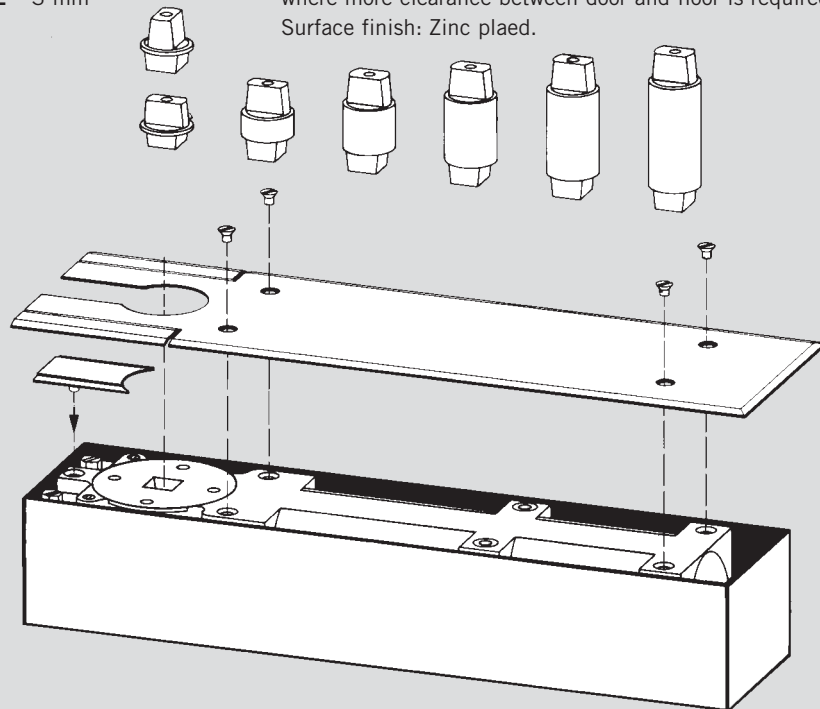
for floor springs	Order No.
DORMA BTS 80	45090056
DORMA BTS 75	45090057
DORMA BTS 84	81000001

Typical applications



Extended spindle insert
Spindle Extension
Dimension "X" – (standard 8 mm) (Door clearance)
Z – 3 mm

NOTE: Closer and bottom strap must be installed per fixing instructions for door clearances shown to be valid. Closers with extended spindle inserts are used with thresholds, carpeted floors, terazzo pans or in cases where more clearance between door and floor is required. Surface finish: Zinc plaed.



DORMA GmbH + Co. KG
Division Door Control
www.dorma.com

Central Europe
DORMA GmbH + Co. KG
Breckerfelder Str. 42-48
D-58256 Ennepetal
Phone: +49 23 33/793-0
Fax: +49 23 33/793-495

Australia
DORMA Door Controls Pty. Ltd.
52 Abbott Road
Hallam/Victoria 3803
Australia
Phone: +61 3/97 96 35 55
Fax: +61 3/97 96 35 55

Emerging Markets
DORMA GmbH + Co. KG
Breckerfelder Str. 42-48
D-58256 Ennepetal
Phone: +49 23 33/793-0
Fax: +49 23 33/793-495

Far East
DORMA Door Controls Pte. Ltd.
No. 2 Jalan Terusan, Jurong
Singapore 619285
Phone: +65 62 68/76 33
Fax: +65 62 65/79 14

France
DORMA France S.A.S
Europarc
42/44, rue Eugène Dupuis
F-94046 Creteil Cedex
Phone: +33 1/41 94 24 00
Fax: +33 1/41 94 24 01

Gulf
DORMA Gulf Door Controls FZE
Jebel Ali Free Zone,
Roundabout 8,
Unit VC 02
Dubai, United Arab Emirates
Phone: +971 48/83 90 14
Fax: +971 48/83 90 15

North America
DORMA Architectural Hardware
DORMA Drive, Drawer AC
Reamstown, PA 17567
Phone: +1-800-523-8483
Fax: +1-800-274-9724

Scanbalt
DORMA Danmark A/S
Sindalvej 6 – 8
DK-2610 Rødovre
Phone: +45 44/54 30 00
Fax: +45 44/94 95 04

South Africa
DORMA Door Controls (Pty.) Ltd.
Kings Court
4A Mineral Crescent
ZA-2000 Crown/Gauteng
Johannesburg
Phone: +27 11/8 30 02 80
Fax: +27 11/8 30 02 91

South America
DORMA Sistemas de Controles
para Portas Ltda.
Av. Piracema, 1400
Centro Empresarial Tambore
CEP 06400 Barueri/
São Paulo, Brasil
Phone: +55 11/41 91 32 44
Fax: +55 11/41 91 21 93

South-East Europe
DORMA AUSTRIA GmbH
Pebering Strass 22
A-5301 Eugendorf
Phone: +43 62 25/2 84 88
Fax: +43 62 25/2 84 91

South Europe
DORMA Italiana S.r.l.
Via. A. Canova 44/46
I-20035 Lissone (MI)
Phone: +39 039/24 40 31
Fax: +39 039/24 40 33 10

DORMA Ibérica, S.A.
Camino San Martin de la Vega, 4
E-28500 Arganda del Rey
(Madrid)
Phone: +34 91/8 75 78 50
Fax: +34 91/8 75 78 81

UK/Ireland
DORMA Door Controls Ltd.
DORMA Trading Park
Staffa Road
GB-London E10 7QX
Phone: +44 208/5 58 84 11
Fax: +44 208/5 58 61 22

